

# CURRENT TRANSFORMERS

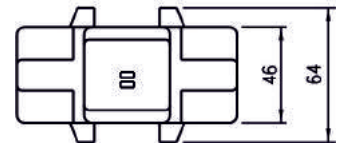
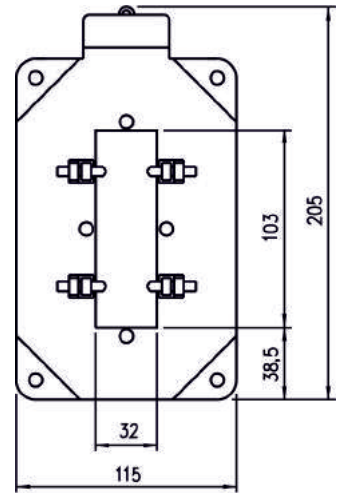
## IRM

### WINDOW TYPE CURRENT TRANSFORMER



On request: Secondary terminals on the long side of the current transformer

Primary bar 100 x 20 mm



#### IRM Technical Features, Executions

Primary rated current A	sec. 5 A / Rated burdens VA		sec. 1 A / Rated burdens VA	
	Class 0,5	Class 1	Class 0,5	Class 1
	1500	20	30	20
2000	30	45	30	45
2500	45	60	45	60
3000	45	60	45	60
4000	60	60	60	60

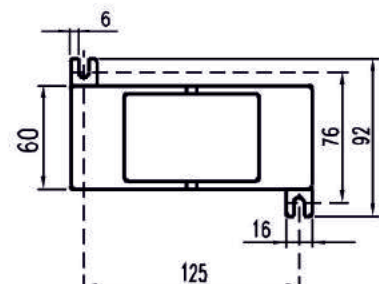
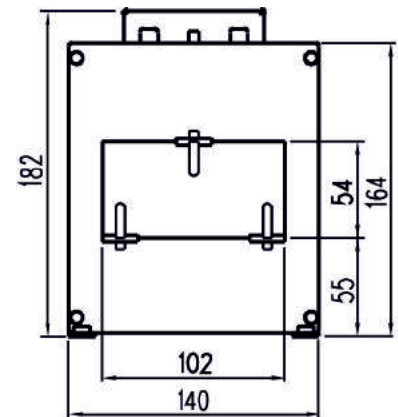
Included in delivery: Primary fixing device

## ICM

### WINDOW TYPE CURRENT TRANSFORMER



Primary bar: 3 x 100 x 10 mm  
2 x 100 x 20 mm



#### ICM Technical Features, Executions

Primary rated current A	sec. 5 A / Rated burdens VA		sec. 1 A / Rated burdens VA	
	Class 0,5	Class 1	Class 0,5	Class 1
	750	15	20	15
800	15	20	15	20
1000	20	30	20	30
1200	30	45	30	45
1500	30	45	30	45
1600	30	45	30	45
2000	45	60	45	60
2500	60	60	60	60
3000	60	60	60	60

Included in delivery: Primary fixing device