

# CURRENT TRANSFORMERS

## IER/4



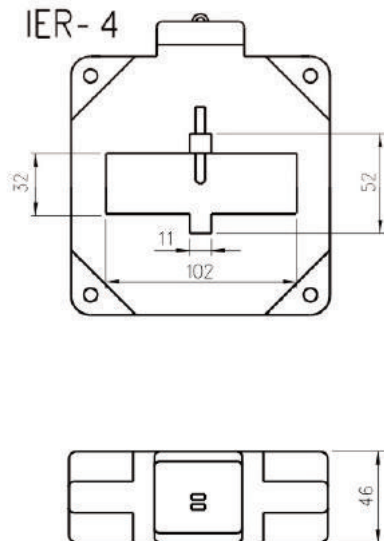
### WINDOW TYPE CURRENT TRANSFORMER

Primary bar 2 x 100 x 10 mm

#### IER/4 Technical Features, Executions

Primary rated current A	sec. 5 A / Rated burdens VA		sec. 1 A / Rated burdens VA	
	Class 0,5	Class 1	Class 0,5	Class 1
250	1,25	3,75	1,25	3,75
400	3,75	7,5	3,75	7,5
500	5	10	5	10
600	10	15	10	15
750	10	15	10	15
800	10	15	10	15
1000	15	20	15	20
1200	15	20	15	20
1500	20	30	20	30
1600	20	30	20	30
2000	30	45	30	45
2500	30	45	30	45

Included in delivery: Primary fixing device  
On request



## IRP



### WINDOW TYPE CURRENT TRANSFORMER

On request: Secondary terminals on the long side of the current transformer

Primary bar 100 x 20 mm

#### IRP Technical Features, Executions

Primary rated current A	sec. 5 A / Rated burdens VA		sec. 1 A / Rated burdens VA	
	Class 0,5	Class 1	Class 0,5	Class 1
750	10	15	10	15
800	10	15	10	15
1000	15	20	15	20
1200	15	20	15	20
1500	20	35	20	35
2000	30	45	30	45
2500	45	60	45	60

Included in delivery: Primary fixing device

