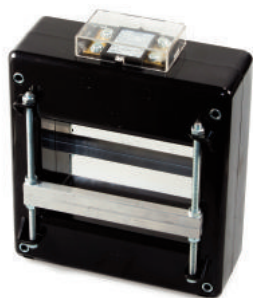


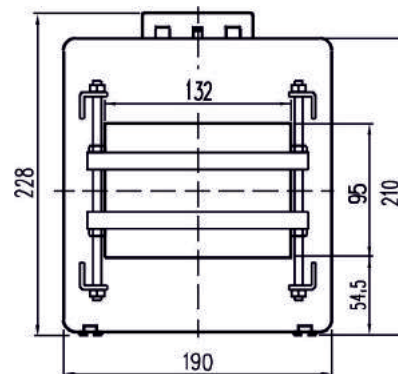
# CURRENT TRANSFORMERS

## ICG

### WINDOW TYPE CURRENT TRANSFORMER



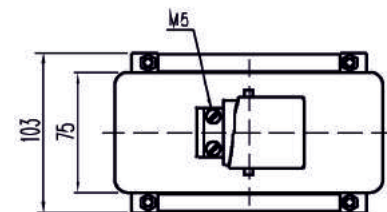
Primary bar  
3 x 130 x 20 mm  
4 x 130 x 10 mm



### ICG Technical Features, Executions

Primary rated current A	sec. 5 A /		sec. 1 A /	
	Rated burdens VA		Rated burdens VA	
	Class 0,5	Class 1	Class 0,5	Class 1
3000	60	60	60	60
4000	60	60	60	60
5000	60	60	60	60
6000	60	60	60	60

Included in delivery: Primary fixing device



## IBO

### WOUND PRIMARY CURRENT TRANSFORMER



Form A



Form B

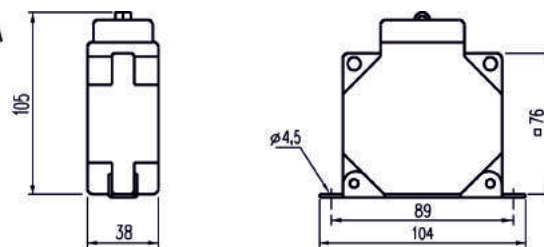
Form	Primary rated current	a	b	c	d	
A	5 A ... 20 A	-	-	-	-	-
B	25 A ... 150 A	38	90	115	3	M8

### IBO Technical Features, Executions

	Primary rated current A	sec. 5 A /		sec. 1 A /	
		Rated burdens VA		Rated burdens VA	
		Class 0,5	Class 1	Class 0,5	Class 1
Form A	5	10	15	10	15
	10	10	15	10	15
	15	10	15	10	15
	20	10	15	10	15
	25	10	15	10	15
Form B	30	10	15	10	15
	40	10	15	10	15
	50	10	15	10	15
	60	10	15	10	15
	75	10	15	10	15
	100	10	15	10	15
	125	10	15	10	15
	150	10	15	10	15

Accessories: Mounting feet / snap on mounting bracket EN 50022-35

#### IBO < 25 A



#### IBO > 25 A

