

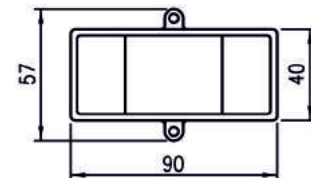
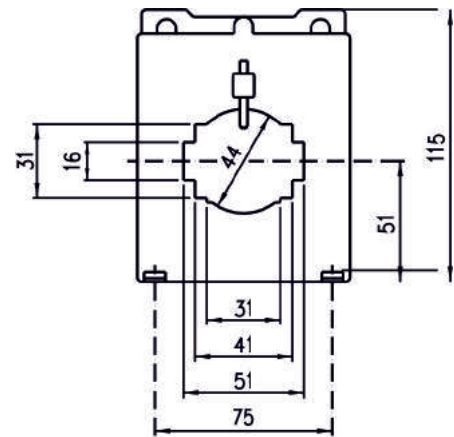
CURRENT TRANSFORMERS

IBR

WINDOW TYPE CURRENT TRANSFORMER



Round conductor:	Ø 44 mm
Primary bar:	50 x 15 mm 2 x 40 x 10 mm



IBR Technical Features, Executions

Primary rated current A	sec. 5 A / Rated burdens VA		sec. 1 A / Rated burdens VA	
	Class 0,5	Class 1	Class 0,5	Class 1
400	5	5	5	5
500	7,5	7,5	7,5	7,5
600	10	10	10	10
750	10	15	10	15
800	10	15	10	15
1000	10	15	10	15
1200	10	15	10	15
1500	10	20	10	20
1600	10	20	10	20

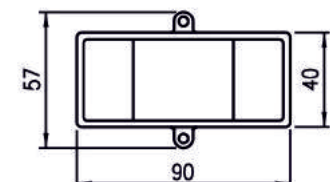
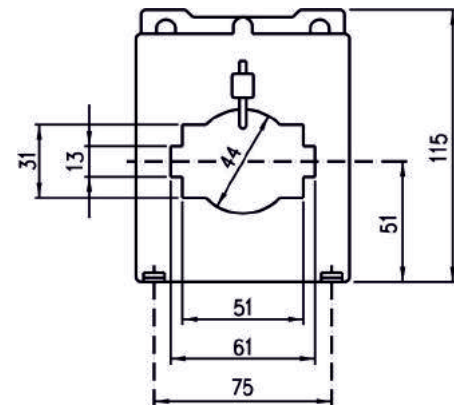
Included in delivery: Primary fixing device
Accessories: mounting feet

IBR/1

WINDOW TYPE CURRENT TRANSFORMER



Round conductor:	Ø 44 mm
Primary bar:	60 x 12 mm 2 x 50 x 10 mm



IBR/1 Technical Features, Executions

Primary rated current A	sec. 5 A / Rated burdens VA		sec. 1 A / Rated burdens VA	
	Class 0,5	Class 1	Class 0,5	Class 1
400	5	5	5	5
500	7,5	7,5	7,5	7,5
600	10	10	10	10
750	10	15	10	15
800	10	15	10	15
1000	10	15	10	15
1200	10	15	10	15
1500	10	20	10	20
1600	10	20	10	20

Included in delivery: Primary fixing device
Accessories: mounting feet