

# CURRENT TRANSFORMERS

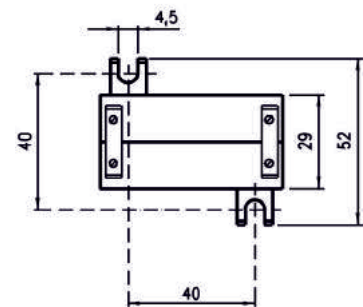
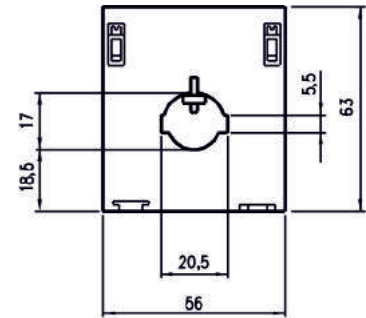
## IBA

### WINDOW TYPE CURRENT TRANSFORMER



Round conductor:  $\varnothing$  16 mm

Primary bar: 20 x 5 mm



#### IBA Technical Features, Executions

Primary rated current A	sec. 5 A / Rated burdens VA		sec. 1 A / Rated burdens VA	
	Class 0,5	Class 1	Class 0,5	Class 1
40	-	1,25	-	1,25*
50	-	1,25	-	1,25
60	-	1,25	-	1,25
75	-	1,25	-	1,25
100	-	2,5	-	2,5
125	1,25	3,75	1,25	3,75
150	1,25	5	1,25	5
200	2,5	5	2,5	5

Accessories: mounting feet / snap on mounting bracket EN 50022-35  
\*class 3

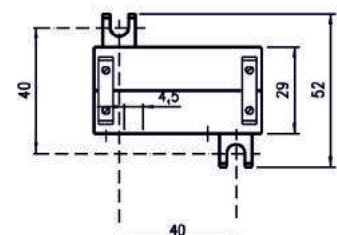
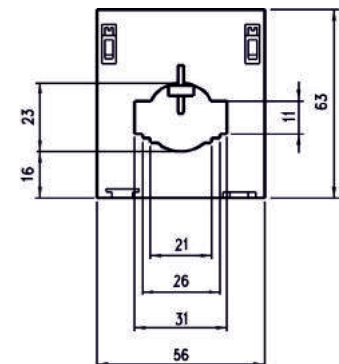
## IBP

### WINDOW TYPE CURRENT TRANSFORMER



Round conductor:  $\varnothing$  22 mm

Primary bar: 30 x 10 mm



#### IBP Technical Features, Executions

Primary rated current A	sec. 5 A / Rated burdens VA		sec. 1 A / Rated burdens VA	
	Class 0,5	Class 1	Class 0,5	Class 1
100	-	1,25	-	1,25
125	-	2,5	-	2,5
150	-	2,5	-	2,5
200	-	2,5	-	2,5
250	1,25	2,5	1,25	2,5
300	2,5	2,5	2,5	2,5
400	2,5	3,75	2,5	3,75
500	3,75	5	2,5	2,5
600	3,75	5	2,5	3,75

Accessories: mounting feet / snap on mounting bracket EN 50022-35